



1943 Hermance Road, Galway New York 12074

www.germainmantels.com

PHONE/FAX: 518.882.9697 Monday-Friday, 9AM-6PM Eastern



DESIGN OPTIONS

ALL WOOD

UNFINISHED

FULLY ASSEMBLED



GERMAIN MANTELS

Whether your building and remodeling plans include adding a complete zero clearance wood or gas burning fireplace, modernizing your existing fireplace with a new high efficiency fireplace insert, simply cleaning up the old stone or brick face, or adding ceramic or marble tile facing, a new mantel can help the project— a GERMAIN MANTEL.

Our mantels are all wood, unfinished, preassembled and available in a variety of designs. Custom options are available.

GERMAIN MANTELS can be purchased online by the home owner, builder or dealer. Browse through our site or contact us directly. We're prepared to offer the service you deserve.



ABOUT US

WELCOME TO GERMAIN MANTELS!

Germain Mantels has been manufacturing quality wood fireplace mantels for the Capital Region of New York since 1993. Our products include Fireplace Mantels, Mantel Shelves and Surrounds, crafted of fine North American hardwoods, built to our standard dimensions or customized to fit your needs. If you are looking for a style not in our regular line, we would be happy to work with you on a custom design.

OUR MANTELS ARE ALL WOOD! We do not use any plywoods, composite materials or veneers. Only boards selected from the highest grades available of North American hardwoods are used. The natural beauty of real wood and the traditional details inherent to the craft of fine woodworking are featured.

OUR MANTELS ARE UNFINISHED! They are cut, built and sanded with careful attention to detail. We ship them to you ready to receive the paint or varnish finish of your choice. This allows exact color and sheen matching to coordinate with woodwork adjacent to your fireplace and mantel. For added decorating flare, select tones to compliment nearby floor, window and furniture treatments. Or, consider using one of our mirror surrounds above your fireplace to frame a wall hanging instead of a mirror. You will be able to apply just the right colors to accent your artwork.

OUR MANTELS ARE PREASSEMBLED! These are not kits! Because we ship our mantels fully assembled the need for time consuming and costly on site labor is greatly reduced. Simply remove the packaging, install your mantel and apply the optional interior trim molding we provide for your convenience. Then proceed to your finishing steps. If you are purchasing a single unit for your own home, you will find the installation easy. If you are a building contractor, our preassembled mantels and surrounds enable you to present a consistent quality product to your customers without the problems associated with kit assembly— often done by personnel with varying levels of skill working in unpredictable construction site conditions. Our preassembled units free your most talented workers to attend to more complex tasks. If you are a dealer, our preassembled mantels mean fewer customer care issues to be addressed with your retail customers and labor savings to you if you are offering full service installations to your retail and building contractor customers.

Whether your building or remodeling plans include adding a complete zero clearance wood or gas burning fireplace, modernizing an existing fireplace with a new high efficiency fireplace insert, cleaning up the old stone or brick face, or adding ceramic or marble tile facing, a new mantel can complete the project by adding beauty and value.

DESIGN OPTIONS

ALL WOOD

UNFINISHED

FULLY ASSEMBLED



BUILDERS, we think we have some solutions to offer you.

SALES: GERMAIN MANTELS offers a wide variety of styles in both Poplar and Red Oak to suit your customers' tastes and compliment the different home designs you feature. Detail options such as our Arched Headboard and Bowed Shelf provide an additional distinctive touch. Perhaps adding a mirror surround to frame a mirror or other wall hanging above the mantel is just what a particular home design needs. Many of our products are very close in price making it easy for you present several attractive choices within a price category. Use our on line catalogue to print photos and dimensioned drawings for your home buyers. Once your company has opened an account and we have worked out your standard dimension requirements, an authorized sales person can place an order on line as soon as your buyer has made a selection— one less detail for your construction supervisors to worry about. In the event of a customer requested change order, your sales or production people can check the status of the order on line to see if the change can be made without affecting costs. Communications can also be handled by phone or FAX.

CONSTRUCTION SUPERVISORS: We have worked to give your sales people the variety of styles and options they need to attract home buyers while standardizing important dimensions such as the footprint [Z x S], the opening height and width [R & Q], and shelf height and length [W & U]. Knowing the standard minimum hearth dimensions simplifies ordering. For example, if your customer has selected a patterned or oversized tile you will know immediately if you have to special order a custom dimension mantel. If a fireplace is centered between windows limiting shelf length you can opt for an appropriate size. Standard dimensioned drawings for every product can be downloaded from our web site at anytime. If our standard dimensions don't fit your needs, we will work with you to develop your dimension standards for repeat use. If you have projects in several markets and price ranges, establishing your own specific standard dimensions will make framing and rough in work more efficient, no matter which units you are installing. Our preassembled mantels assure more consistent, quicker and less expensive installations, freeing up your most skilled workers for other tasks. And, for that one of a kind custom home, we'll partner with you to design and build a unique unit to fit the plan. Just contact us by phone, FAX or email and we'll begin the process!

To review our standard dimensions, please go to [MEASURING](#).

For more information about standard or custom units, please contact Germain Mantels or [ORDERING](#) on the web site.



DEALERS, take a look at what **GERMAIN MANTELS** offers you.

VARIETY: We offer a wide variety of styles to match your customers' differing tastes in both Poplar and Red Oak in a median price range without compromising quality.

OPTIONS: Within each style we offer our Bowed Shelf detail and our Arched Headboard detail to give even more distinction to individual tastes. We also offer customized dimensions and other types of wood, such as Maple, Cherry and Walnut on a custom order basis.

BASE PRICE UNIFORMITY: Many of our products are very close in price allowing you to offer a price category to your customers. This can be especially important if you are servicing building contractors who are sending their customers to your store to make fireplace and mantel selections. You can present a wide selection of styles in standard dimension Poplar or Red Oak varying the price only for options.

CREATE THE STANDARD THAT WORKS BEST FOR YOUR MARKET: If your most popular gas fireplace application happens to be a 42" unit with 3/4" x 12" marble facing tell us. We'll vary our standard return depth and opening height & width to become the standard dimensions for your account, often without affecting your cost. Or perhaps a common design in your area has windows flanking the fireplace, thus limiting the wall space available for mantel details. Let us know. We might be able to shorten the shelf length with little or no trouble.

PREASSEMBLED MANTELS mean simplified, more reliable installations. Whether you're selling to a do-it-yourself homeowner, a builder, a remodeler or providing your customers with a full service installation our preassembled mantels will be quicker to install than a kit.

ON LINE SERVICES: You can print photos and dimensioned drawings off our web site for your customers to take with them while they review their needs. Once you have opened an account you will be able to place orders and check order status on line.

DISCOUNTS: Of course we offer discounts for volume purchases. We also have a discount program for non-stocking dealers. Please contact us for details.

WHAT GERMAIN MANTELS NEEDS FROM OUR DEALERS: In a word what we need is "reliability". We need to know you have qualified your customers and their needs. If you are ordering standard dimension units check to be sure the basic dimensions work. Does the footprint [Z x S] fit on the hearth, do the opening height and width [R & Q] work with the intended facing reveals, do the shelf length & height [W & U] fit on the wall as intended? We prefer solutions to problems, but returned items are subject to a restocking charge and any return credit will be granted solely at the discretion of GERMAIN MANTELS. If you apply for an account we will be asking for credit references.

To review our standard dimensions, please go to [MEASURING](#).

For more information about standard or custom units, please contact Germain Mantels or [ORDERING](#) on the web site.

GERMAIN MANTELS 1943 Hermance Road, Galway New York 12074

www.germainmantels.com - **PHONE/FAX: 518.882.9697** Monday-Friday, 9AM-6PM Eastern



STANDARD PRODUCTS

DESIGN OPTIONS

ALL WOOD

UNFINISHED

FULLY ASSEMBLED

ATHENS



CAMBRIDGE



DEERFIELD



JENNIFER



JESSICA



LEE



LEE ARCHED



MANCHESTER



SCHUYLER



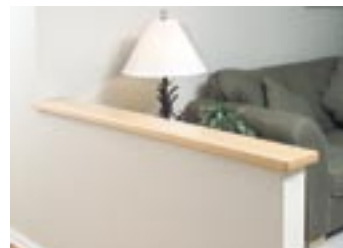
MIRROR SURROUND



PENN SHELF



YORK SHELF



WALL CAP



ATHENS SURROUND

**ALL WOOD.
UNFINISHED.
FULLY ASSEMBLED.**

STANDARD SIZE **ATHENS** UNITS
with an opening of
54" wide x 40" high are available in:

Poplar
Red Oak

AVAILABLE OPTIONS INCLUDE:
Flush Hearth Leg Length
(Adds 6" to opening height)
Bowed Shelf
Arched Headboard

CUSTOMIZED DIMENSIONS:
Please contact us for a quotation

CUSTOMIZED CHOICE OF WOODS:
Please contact us for a quotation



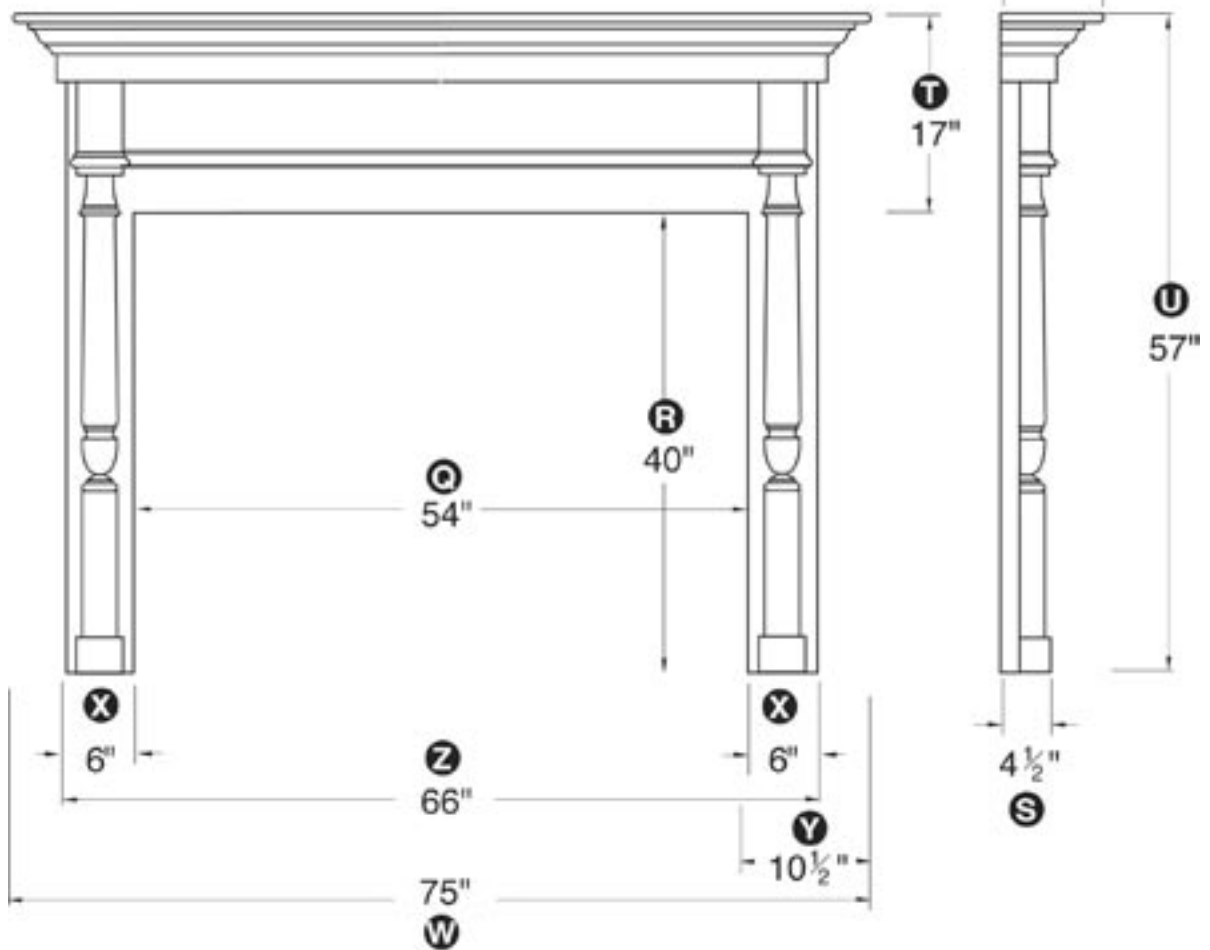


ATHENS

Optional Bowed Shelf



Standard Straight Shelf



Dimensions shown are for standard size units.

All dimensions are $\pm 1/8"$.

An interior moulding is supplied to allow standard return depth to be used with facing thicknesses from 1/4" to 5/8". This moulding can reduce opening width (Q) up to 1-1/2" and opening height up to 3/4". Please call to discuss any custom dimension needs you may have, and to get a price quotation.

AVAILABLE OPTIONS INCLUDE:

- Bowed shelf
- Arched headboard
- Customized dimensions
- Custom choice of woods



CAMBRIDGE SURROUND

**ALL WOOD.
UNFINISHED.
FULLY ASSEMBLED.**

STANDARD SIZE **CAMBRIDGE** UNITS
with an opening of
54" wide x 40" high are available in:

Poplar
Red Oak

AVAILABLE OPTIONS INCLUDE:
Flush Hearth Leg Length
(Adds 6" to opening height)
Bowed Shelf
Arched Headboard

CUSTOMIZED DIMENSIONS:
Please contact us for a quotation

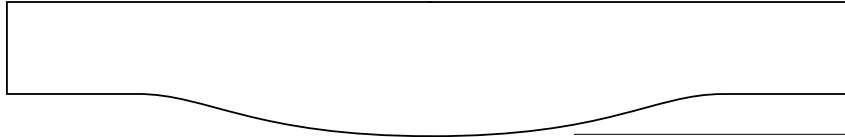
CUSTOMIZED CHOICE OF WOODS:
Please contact us for a quotation



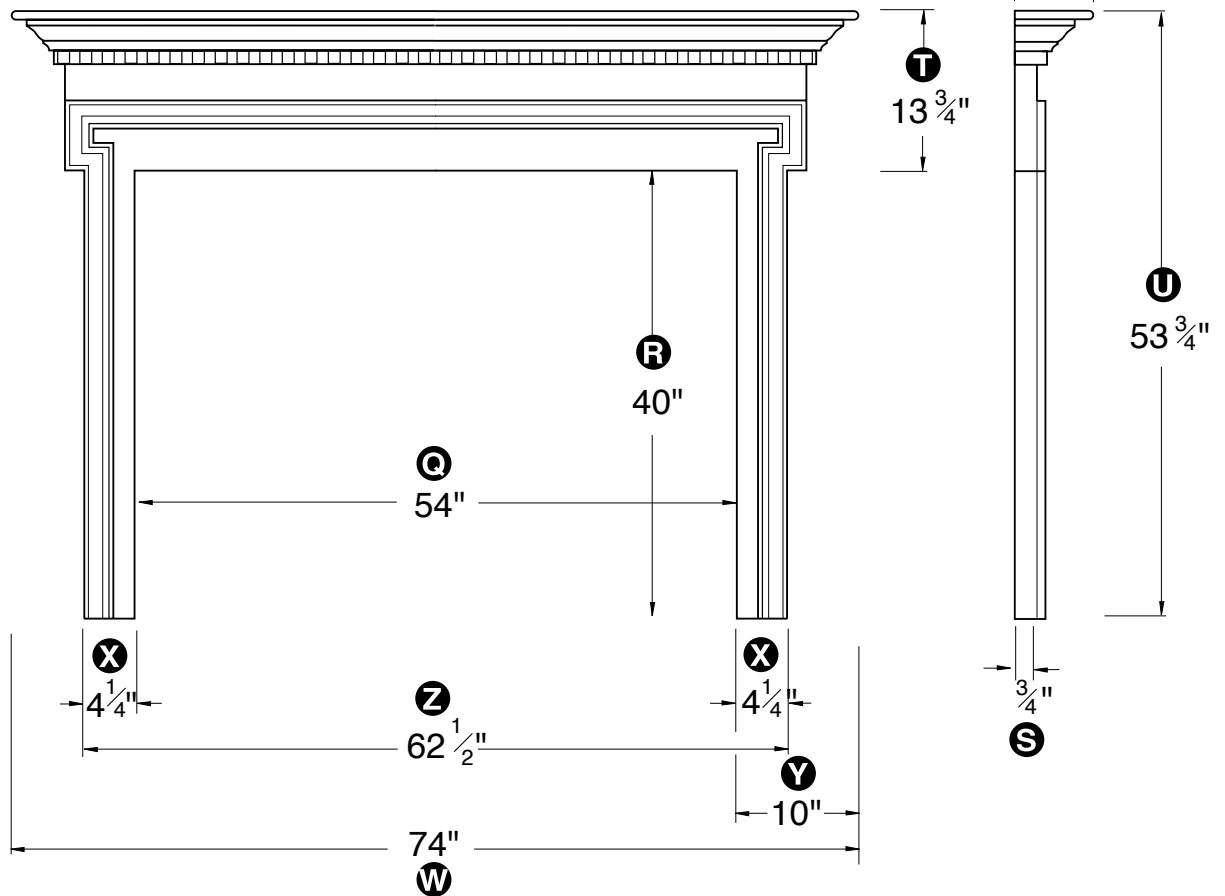
CAMBRIDGE



Optional Bowed Shelf



Standard Straight Shelf



Dimensions shown are for standard size units.

All dimensions are ± 1/8".

An interior moulding is supplied to allow standard return depth to be used with facing thicknesses from 1/4" to 5/8". This moulding can reduce opening width (Q) up to 1-1/2" and opening height up to 3/4". Please call to discuss any custom dimension needs you may have, and to get a price quotation.

AVAILABLE OPTIONS INCLUDE:

- Flush hearth leg length (adds 6" to opening height R)
- Bowed shelf
- Arched headboard
- Customized dimensions
- Custom choice of woods



DEERFIELD SURROUND

**ALL WOOD.
UNFINISHED.
FULLY ASSEMBLED.**

STANDARD SIZE **DEERFIELD** UNITS
with an opening of
54" wide x 40" high are available in:

Poplar
Red Oak

AVAILABLE OPTIONS INCLUDE:

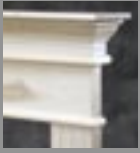
Flush Hearth Leg Length
(Adds 6" to opening height)
Bowed Shelf
Arched Headboard

CUSTOMIZED DIMENSIONS:

Please contact us for a quotation

CUSTOMIZED CHOICE OF WOODS:

Please contact us for a quotation



DEERFIELD



Optional Bowed Shelf



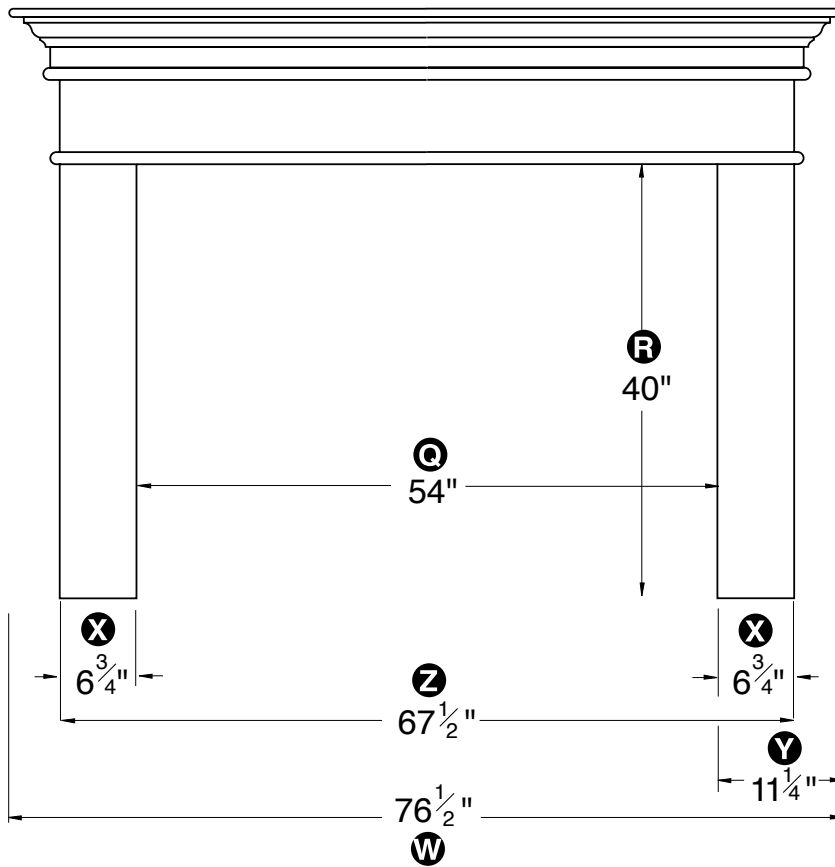
3 1/2"

Standard Straight Shelf



V

6 1/2"



T 13 3/4"

U 53 3/4"

S 3/4"

Dimensions shown are for standard size units.

All dimensions are $\pm 1/8"$.

An interior moulding is supplied to allow standard return depth to be used with facing thicknesses from 1/4" to 5/8". This moulding can reduce opening width (Q) up to 1-1/2" and opening height up to 3/4".

Please call to discuss any custom dimension needs you may have, and to get a price quotation.

AVAILABLE OPTIONS INCLUDE:

- Flush hearth leg length (adds 6" to opening height R)
- Bowed shelf
- Arched headboard
- Customized dimensions
- Custom choice of woods



JENNIFER SURROUND

**ALL WOOD.
UNFINISHED.
FULLY ASSEMBLED.**

STANDARD SIZE **JENNIFER** UNITS
with an opening of
54" wide x 40" high are available in:

Poplar
Red Oak

AVAILABLE OPTIONS INCLUDE:
Flush Hearth Leg Length
(Adds 6" to opening height)
Bowed Shelf
Arched Headboard

CUSTOMIZED DIMENSIONS:
Please contact us for a quotation

CUSTOMIZED CHOICE OF WOODS:
Please contact us for a quotation

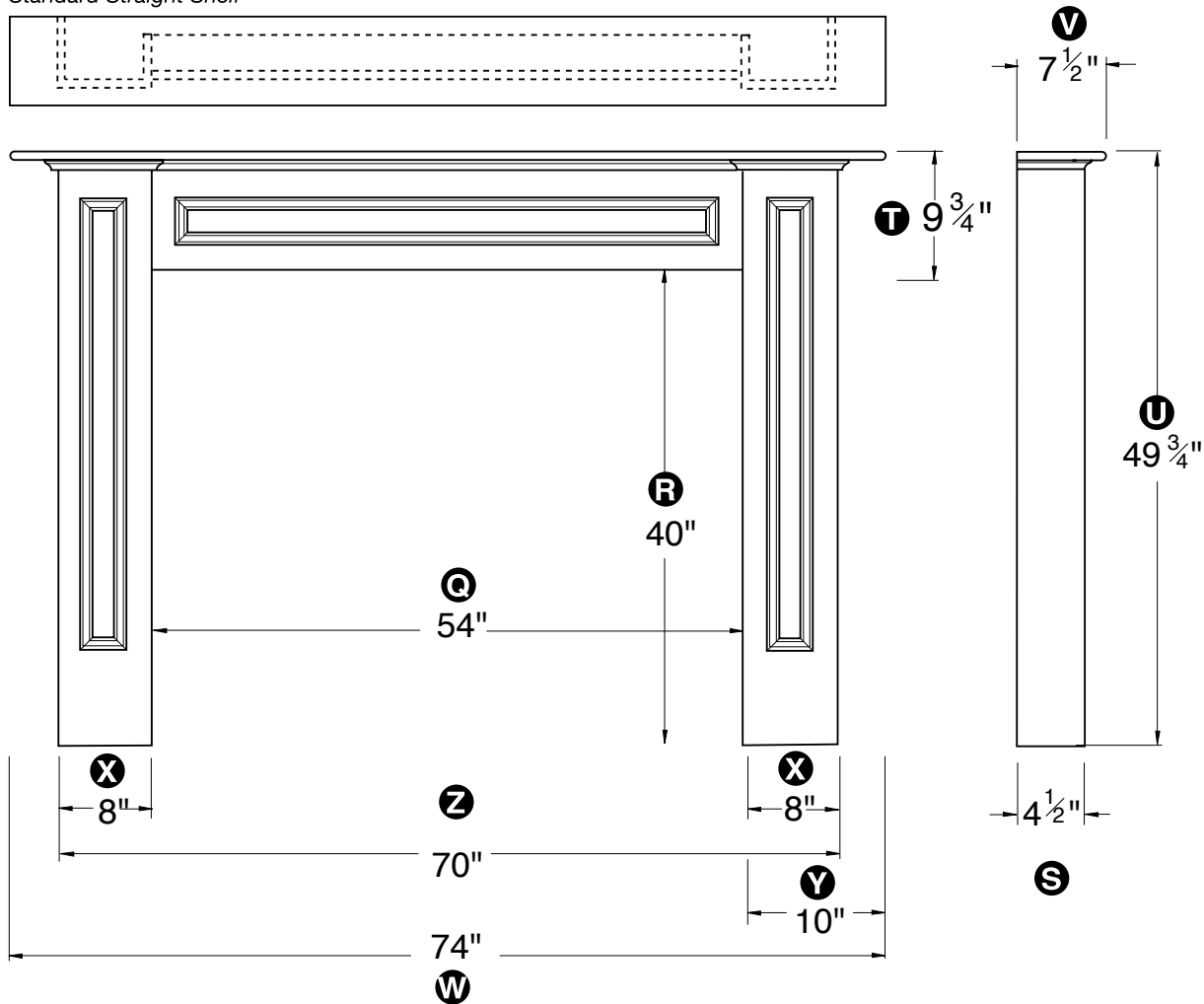




JENNIFER



Standard Straight Shelf



Dimensions shown are for standard size units.

All dimensions are +/- 1/8".

An interior moulding is supplied to allow standard return depth to be used with facing thicknesses from 1/4" to 5/8". This moulding can reduce opening width (Q) up to 1-1/2" and opening height up to 3/4". Please call to discuss any custom dimension needs you may have, and to get a price quotation.

AVAILABLE OPTIONS INCLUDE:

- Flush hearth leg length (adds 6" to to opening height)
- Bowed shelf
- Arched headboard
- Customized dimensions
- Custom choice of woods



JESSICA SURROUND

**ALL WOOD.
UNFINISHED.
FULLY ASSEMBLED.**

STANDARD SIZE **JESSICA** UNITS
with an opening of
54" wide x 40" high are available in:

Poplar
Red Oak

AVAILABLE OPTIONS INCLUDE:
Flush Hearth Leg Length
(Adds 6" to opening height)
Bowed Shelf
Arched Headboard

CUSTOMIZED DIMENSIONS:
Please contact us for a quotation

CUSTOMIZED CHOICE OF WOODS:
Please contact us for a quotation

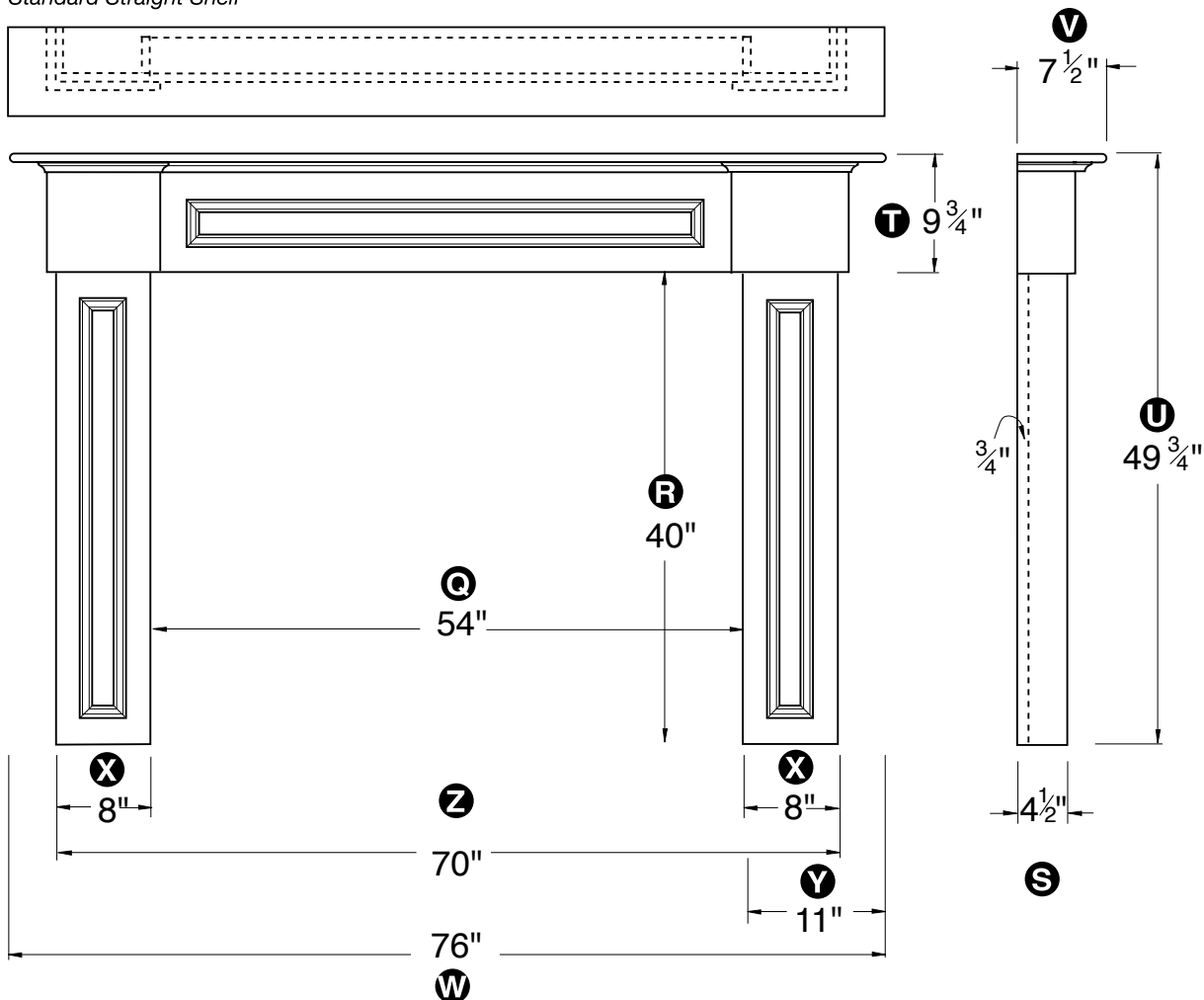




JESSICA



Standard Straight Shelf



Dimensions shown are for standard size units.

All dimensions are +/- 1/8".

An interior moulding is supplied to allow standard return depth to be used with facing thicknesses from 1/4" to 5/8". This moulding can reduce opening width (Q) up to 1-1/2" and opening height up to 3/4". Please call to discuss any custom dimension needs you may have, and to get a price quotation.

AVAILABLE OPTIONS INCLUDE:

- Flush hearth leg length (adds 6" to to opening height)
- Bowed shelf
- Arched headboard
- Customized dimensions
- Custom choice of woods



LEE SURROUND

**ALL WOOD.
UNFINISHED.
FULLY ASSEMBLED.**

STANDARD SIZE **LEE** UNITS with an opening of 54" wide x 40" high are available in:

Poplar
Red Oak

AVAILABLE OPTIONS INCLUDE:
Flush Hearth Leg Length
(Adds 6" to opening height)

Bowed Shelf
Arched Headboard

CUSTOMIZED DIMENSIONS:
Please contact us for a quotation

CUSTOMIZED CHOICE OF WOODS:
Please contact us for a quotation

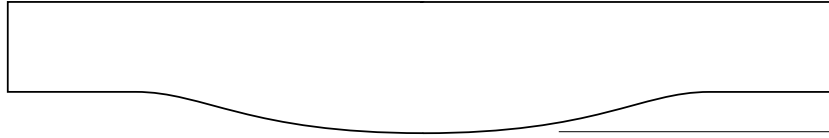




LEE

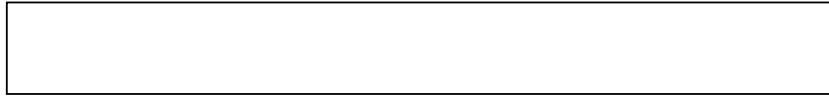
GERMAIN
MANTELS

Optional Bowed Shelf



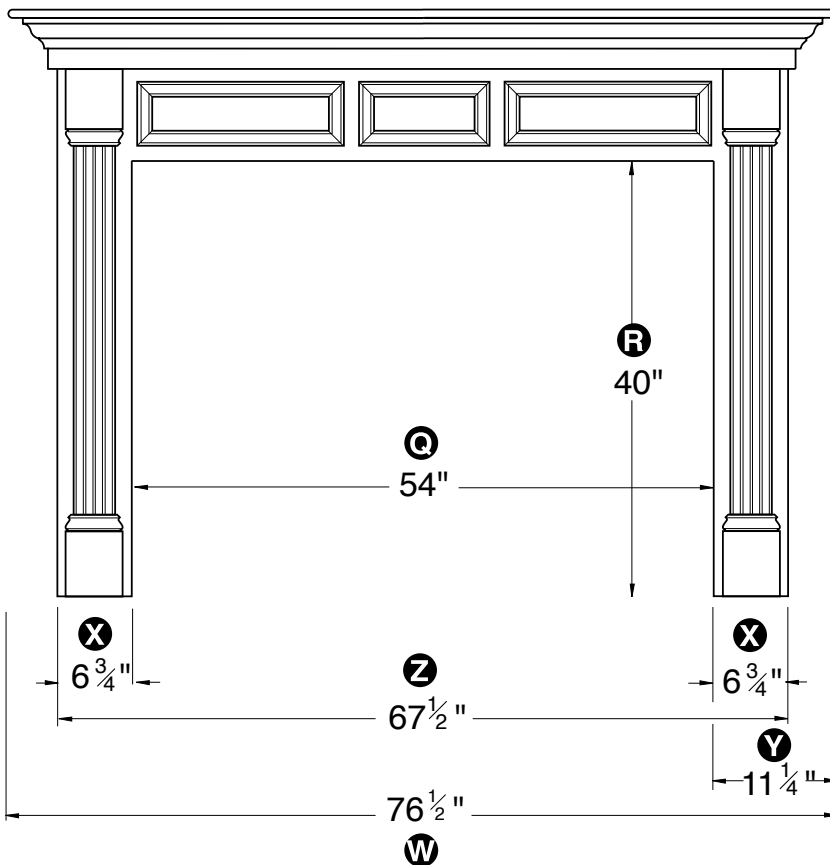
3 1/2"

Standard Straight Shelf



V

7 1/2"



Dimensions shown are for standard size units.

All dimensions are + 1/8".

An interior moulding is supplied to allow standard return depth to be used with facing thicknesses from 1/4" to 5/8". This moulding can reduce opening width (Q) up to 1-1/2" and opening height up to 3/4". Please call to discuss any custom dimension needs you may have, and to get a price quotation.

AVAILABLE OPTIONS INCLUDE:

- Flush hearth leg length (adds 6" to opening height)
- Bowed shelf
- Arched headboard
- Customized dimensions
- Custom choice of woods



LEE ARCHED SURROUND

**ALL WOOD.
UNFINISHED.
FULLY ASSEMBLED.**

ARCHED HEADBOARD —

an option for all units, has a standard opening of 54" wide x 40" high and is available for an additional cost

CUSTOMIZED DIMENSIONS:

Please contact us for a quotation

CUSTOMIZED CHOICE OF WOODS:

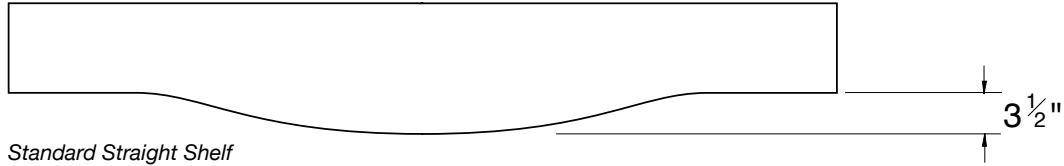
Please contact us for a quotation



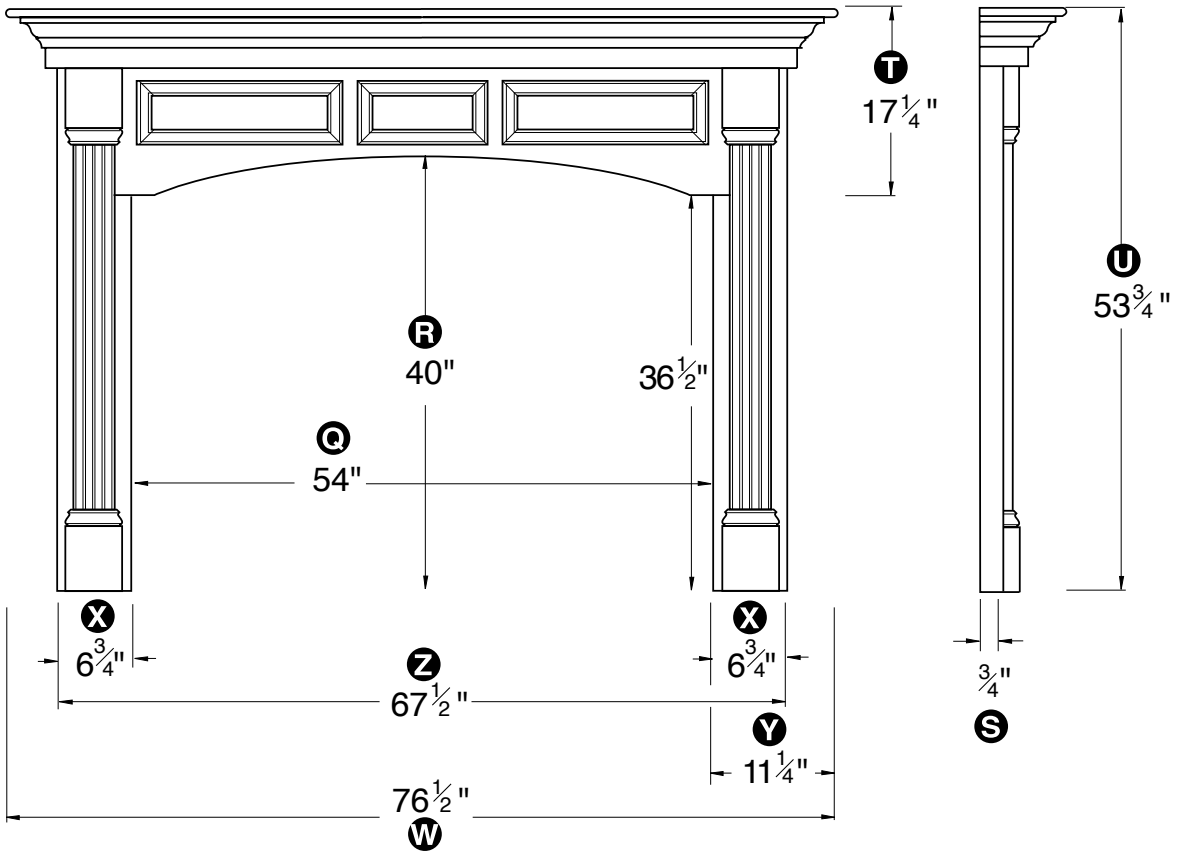
LEE ARCHED



Optional Bowed Shelf



Standard Straight Shelf



OPTIONAL ARCHED HEADBOARD (Can be used with any of the mantel styles)

Dimensions shown are for standard size units

from 1/4" to 5/8". This moulding can reduce opening width (Q) up to 1-1/2" and opening height up to 3/4". Please call to discuss any custom dimension needs you may have, and to get a price quotation.

AVAILABLE OPTIONS INCLUDE:

- Flush hearth leg length (adds 6" to to opening height)
- Bowed shelf
- Arched headboard
- Customized dimensions
- Custom choice of woods



MANCHESTER SURROUND

**ALL WOOD.
UNFINISHED.
FULLY ASSEMBLED.**

STANDARD SIZE **MANCHESTER** UNITS
with an opening of
54" wide x 40" high are available in:

Poplar
Red Oak

AVAILABLE OPTIONS INCLUDE:
Flush Hearth Leg Length
(Adds 6" to opening height)
Bowed Shelf
Arched Headboard

CUSTOMIZED DIMENSIONS:
Please contact us for a quotation

CUSTOMIZED CHOICE OF WOODS:
Please contact us for a quotation

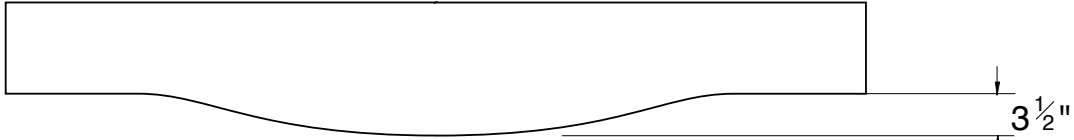




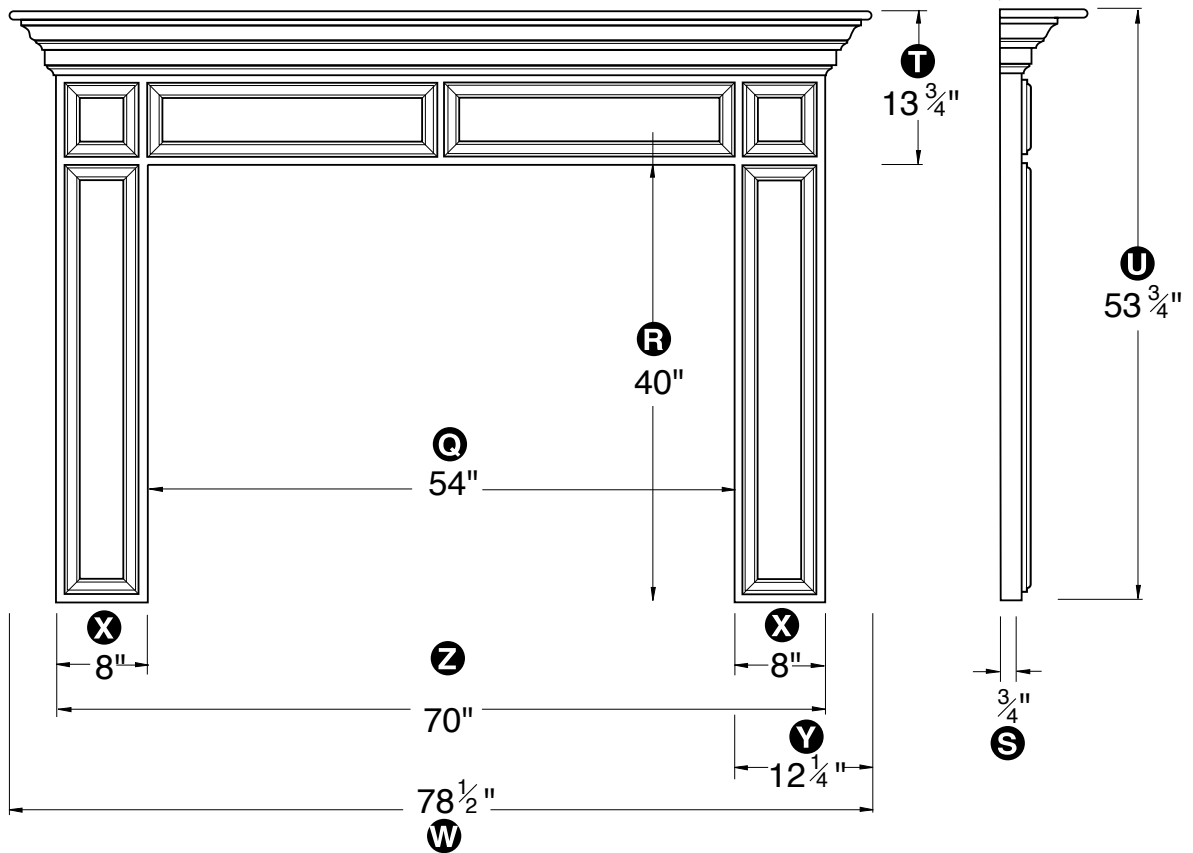
MANCHESTER



Optional Bowed Shelf



Standard Straight Shelf



Dimensions shown are for standard size units.

All dimensions are $\pm 1/8"$.

An interior moulding is supplied to allow standard return depth to be used with facing thicknesses from 1/4" to 5/8". This moulding can reduce opening width (Q) up to 1-1/2" and opening height up to 3/4". Please call to discuss any custom dimension needs you may have, and to get a price quotation.

AVAILABLE OPTIONS INCLUDE:

- Flush hearth leg length (adds 6" to opening height R)
- Bowed shelf
- Arched headboard
- Customized dimensions
- Custom choice of woods



SCHUYLER SURROUND

**ALL WOOD.
UNFINISHED.
FULLY ASSEMBLED.**

STANDARD SIZE **SCHUYLER** UNITS
with an opening of
54" wide x 40" high are available in:

Poplar
Red Oak

AVAILABLE OPTIONS INCLUDE:

Flush Hearth Leg Length
(Adds 6" to opening height)
Bowed Shelf
Arched Headboard

CUSTOMIZED DIMENSIONS:

Please contact us for a quotation

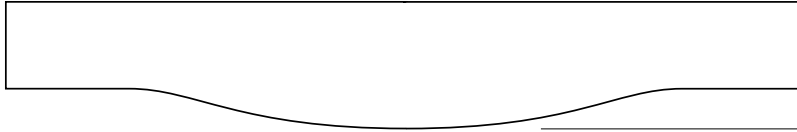
CUSTOMIZED CHOICE OF WOODS:

Please contact us for a quotation



SCHUYLER

Optional Bowed Shelf



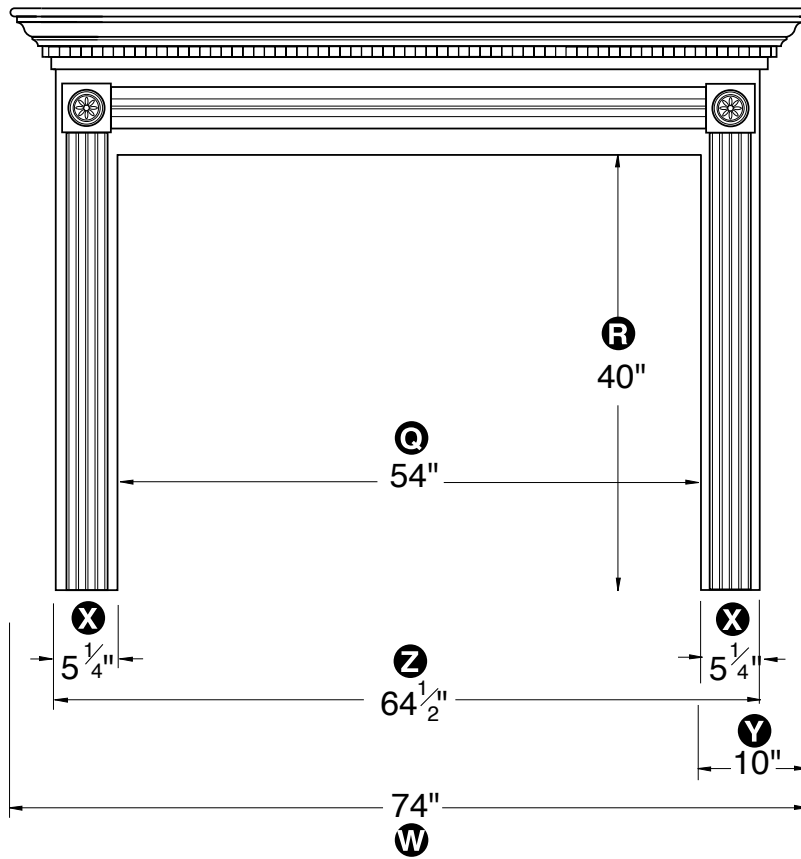
3 1/2"

Standard Straight Shelf



V

7 1/2"



T
13 3/4"

U
53 3/4"

S
3/4"

Dimensions shown are for standard size units.
All dimensions are $\pm 1/8"$.

An interior moulding is supplied to allow standard return depth to be used with facing thicknesses from 1/4" to 5/8". This moulding can reduce opening width (Q) up to 1-1/2" and opening height up to 3/4". Please call to discuss any custom dimension needs you may have, and to get a price quotation.

- AVAILABLE OPTIONS INCLUDE:
- Flush hearth leg length (adds 6" to opening height R)
 - Bowed shelf
 - Arched headboard
 - Customized dimensions
 - Custom choice of woods



MIRROR SURROUND

**ALL WOOD.
UNFINISHED.
FULLY ASSEMBLED.**

STANDARD SIZE **MIRROR SURROUND** UNITS
with an opening of
54" wide x 54" high are available in:

Poplar
Red Oak

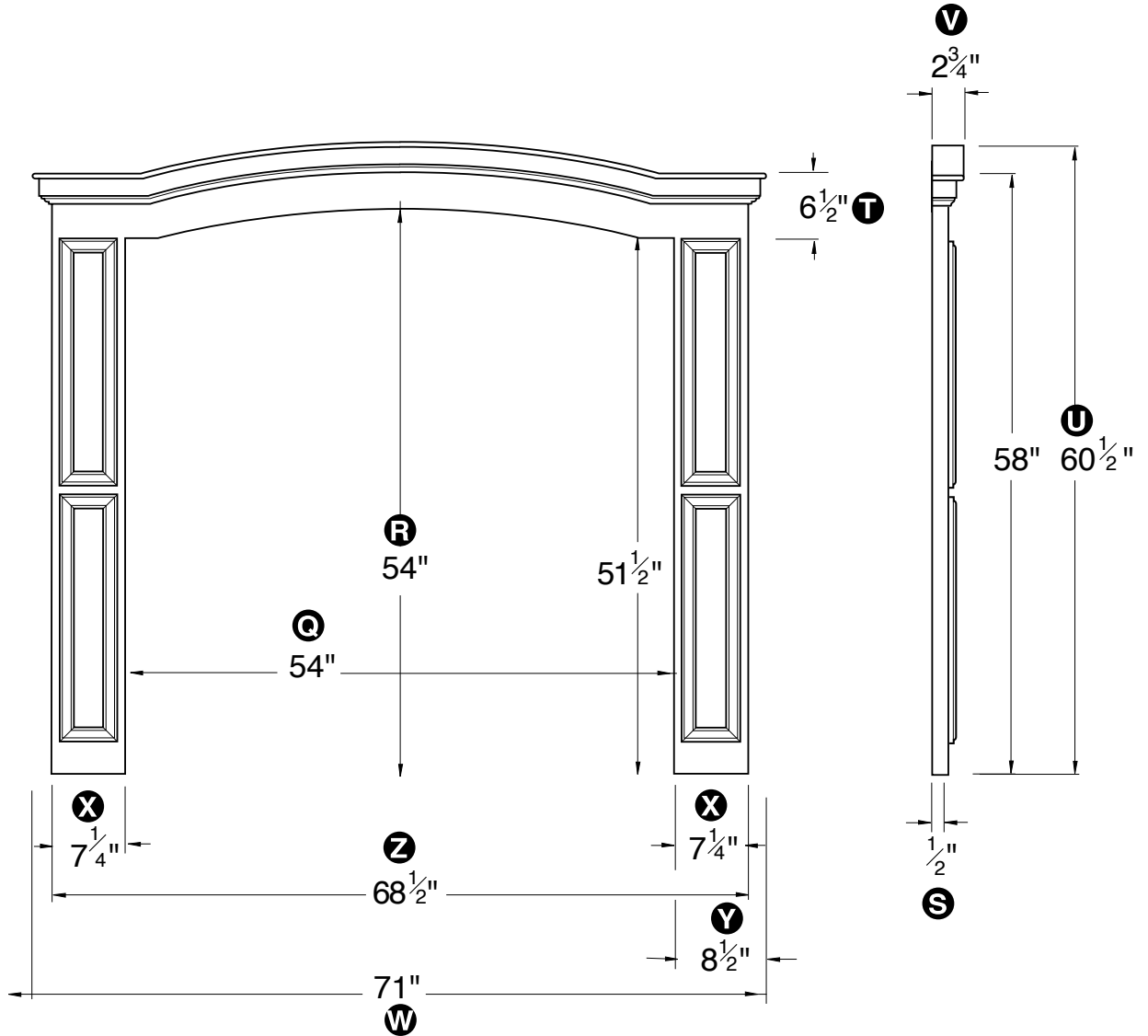
CUSTOMIZED DIMENSIONS:
Please contact us for a quotation

CUSTOMIZED CHOICE OF WOODS:
Please contact us for a quotation





MIRROR



MIRROR SURROUND

size units.

An interior moulding is supplied to allow standard return depth to be used with facing thicknesses from 1/4" to 1/2". This moulding can reduce opening width (Q) up to 1-1/2" and opening height up to 3/4". Please call to discuss any custom dimension needs you may have, and to get a price quotation.



YORK SHELF

ALL WOOD

UNFINISHED

FULLY ASSEMBLED



MANTEL SHELVES

STANDARD **YORK** UNITS are available in:

- Poplar
- Red Oak
- Bowed Shelf Option (shown below with Penn design)



PENN SHELF

SHOWN WITH BOWED SHELF OPTION

STANDARD **PENN** UNITS are available in:

- Poplar
- Red Oak
- Bowed Shelf Option (shown here)

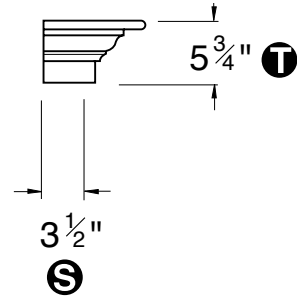
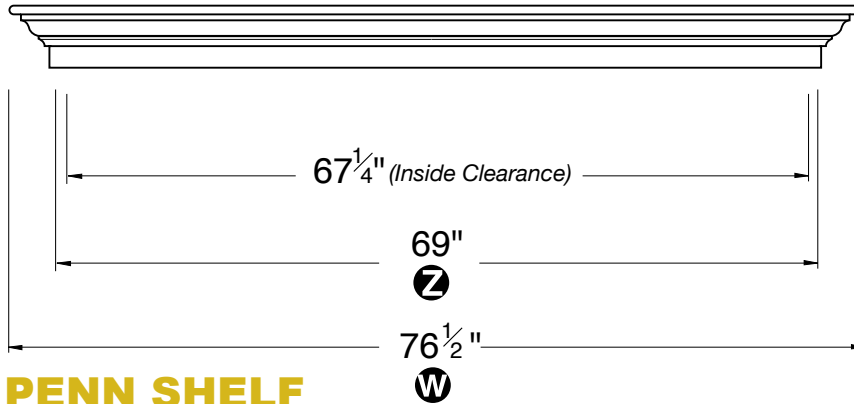
CUSTOMIZED DIMENSIONS:

Please contact us for a quotation on either style

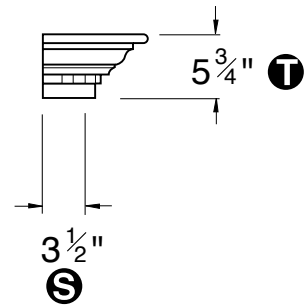
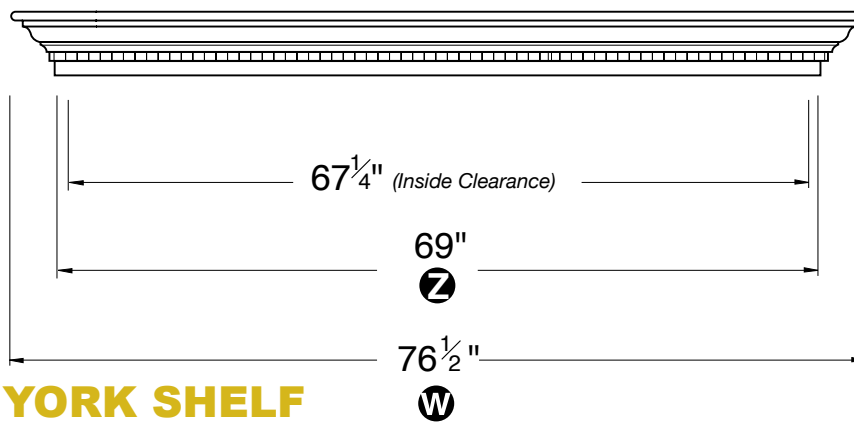
CUSTOMIZED CHOICE OF WOODS:

Please contact us for a quotation on either style

MANTEL SHELVES



PENN SHELF



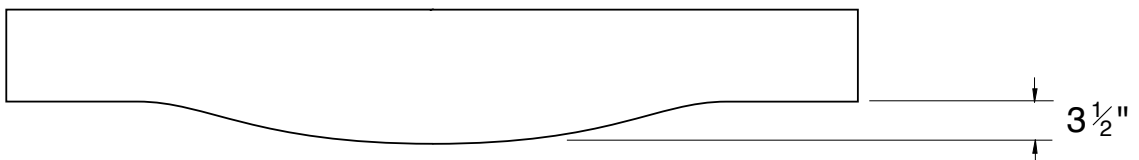
YORK SHELF

Dimensions shown are for standard size units.
 All dimensions are $\pm 1/8"$.

AVAILABLE OPTIONS INCLUDE:

- Bowed shelf
- Arched headboard
- Customized dimensions
- Custom choice of woods

Optional Bowed Shelf



Standard Straight Shelf





WALL CAP

ALL WOOD. UNFINISHED. FULLY ASSEMBLED.

WALL CAP

This simple **WALL CAP** can be made with 1, 2, 3 or 4 edges dressed for a variety of applications. Use it to cap a fireplace you have designed and built to meet your own special needs, to finish a half height room dividing wall as pictured, or even as a window seat. Wall caps made of Red Oak with 3 edges dressed are regularly available to fit over walls of 2x4 construction [pictured], 2x6 construction and 2x12 construction up to 8 feet long. Special configurations, species and lengths are also possible.

RED OAK WALL CAP:

- For 2"x 4" wall [4-3/4" I.D./7-1/4" O.D.]
- For 2"x 6" wall [6-3/4" I.D./9-1/4" O.D.]
- For 2"x 12" wall [12-1/2" I.D./15" O.D.]

DIMENSIONS and SPECIFICATIONS

	Q	R	S	T	U	V	W	X	Y	Z
<u>MANTEL STYLE</u>										
Athens	54"	40"	4-1/2"	17"	57"	9"	75"	6"	10-1/2"	66"
Cambridge	54"	40"	3/4"	13-3/4"	53-3/4"	6-1/2"	74"	4-1/4"	10"	62-1/2"
Deerfield	54"	40"	3/4"	13-3/4"	53-3/4"	6-1/2"	76-1/2"	6-3/4"	11-1/4"	67-1/2"
Jennifer	54"	40"	4-1/2"	9-3/4"	49-3/4"	7-1/2"	74"	8"	10"	70"
Jessica	54"	40"	4-1/2"	9-3/4"	49-3/4"	7-1/2"	76	8"	11"	70"
Lee	54"	40"	3/4"	13-3/4"	53-3/4"	7-1/2"	76-1/2"	6-3/4"	11-1/4"	67-1/2"
Manchester	54"	40"	3/4"	13-3/4"	53-3/4"	7-1/2"	78-1/2"	8"	12-1/4"	70"
Schuyler	54"	40"	3/4"	13-3/4"	53-3/4"	7-1/2"	74"	5-1/4"	10"	64-1/2"
Mirror Surround	54"	54"	1/2"	6-1/2"	60-1/2"	2-3/4"	71"	7-1/4"	8-1/2"	68-1/2"
Penn			3-1/2"	5-3/4"		8"	76-1/2"			69"
York			3-1/2"	5-3/4"		8"	76-1/2"			69"

Dimensions shown are for standard size units.
All dimensions are +/- 1/8".

An interior moulding is supplied to allow the standard return depth to be used with facing thicknesses from 1/4" to 5/8". This moulding can reduce the opening width [Q] up to 1-1/2" and the opening height [R] up to 3/4".

Leg length can be increased, adding 6" to opening height [R] to accommodate flush hearth designs.

The Bowed Shelf detail typically increases the shelf depth [V] by 3 1/2".

The Arched Headboard detail typically increases the the head assembly height [T] by 3-1/2".

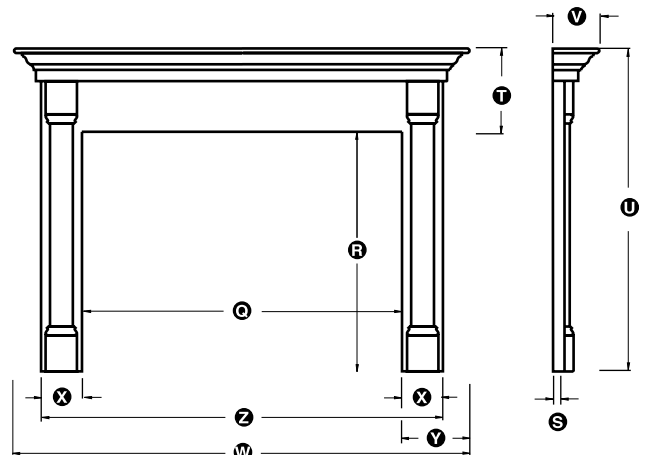
Most of the standard dimensions can be customized, but some, like leg width [X] or leg/shelf offset [Y] are fixed or have minimums. Please feel free to contact us if you have questions.

Standard units can usually be shipped in 4 to 6 weeks.

Customizing dimensions and/or wood choice will affect both price and schedule. Please contact us for more information.

Our mantels are shipped in a sanded and ready to finish condition. Open and inspect your mantel immediately. They need to be protected from temperature extremes and moisture. Apply a high quality sealer to ALL surfaces, front and back. The quality of your finish is an important factor in preventing warping and shrinkage. Germain Mantels assumes no responsibility for adverse site conditions or inadequate finishing technique.

Refer to local building codes for safe clearance requirements between wood mantel and firebox or other heat source.



RETURN POLICY

Open and inspect shipments immediately.

Claims for damage due to shipping must be made directly to the shipper.

Requests for return authorization must be made within 48 hours of delivery.

All returns are subject to a 20% restocking fee.

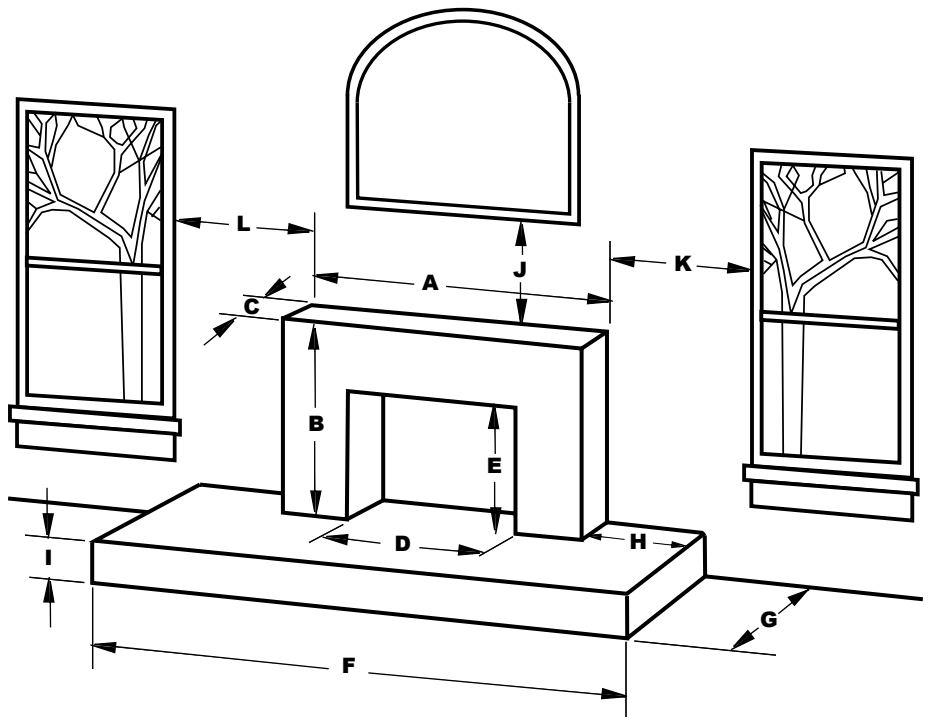
Returns must be made in the original carton and prepaid by the customer.

Any credit, refund, or replacement will be made at the sole discretion of GERMAIN MANTELS.

MEASURING GUIDE

This drawing shows a fireplace WITHOUT a mantel. A review of these dimensions should help determine if you can use a standard dimension unit or need a custom mantel.

- _____ **A:** facing outside width
- _____ **B:** facing outside height
- _____ **C:** facing thickness
- _____ **D:** facing inside width
- _____ **E:** facing inside height
- _____ **F:** hearth width
- _____ **G:** hearth depth
- _____ **H:** hearth side projection
- _____ **I:** hearth height
- _____ **J:** height clearance
- _____ **K:** side clearance right
- _____ **L:** side clearance left



Refer to standard [dimensions chart](#) to determine the following:

- _____ Side facing reveal [1/2 of mantel inside width "Q" – facing inside width "D"]
- _____ Top facing reveal [mantel inside height "R" – facing inside height "E"]
- _____ Shelf height above floor [mantel height "U" + hearth height "I"]
- _____ Hearth width clearance [1/2 hearth width "F" – mantel footprint "Z"]
- _____ Facing width clearance [facing outside width "A" must be at least 2" less than mantel footprint "Z"]
- _____ Facing height clearance [facing height "B" must be at least 10" less than mantel height "U"]
- _____ Shelf side clearance [measure 1/2 of mantel shelf length "W" from center of facing inside width to determine left and right side clearances]

RETAIL PRICE LIST

Mantel Style	Standard Size Units		Add for Available Options			
	Poplar	Red Oak	Flush Hearth Leg	Bowed Shelf	Arched Headboard	Column Fluting
Athens	\$ 1,090.00	\$ 1,290.00	\$ 10.00	\$ 90.00	\$ 90.00	\$110.00
Cambridge	680.00	790.00	10.00	90.00	90.00	N.A.
Deerfield	650.00	715.00	10.00	90.00	90.00	N.A.
Jennifer	795.00	895.00	10.00	90.00	90.00	N.A.
Jessica	820.00	935.00	10.00	90.00	90.00	N.A.
Lee	715.00	790.00	10.00	90.00	90.00	N.A.
Manchester	650.00	715.00	10.00	90.00	90.00	N.A.
Schuyler	650.00	715.00	10.00	90.00	90.00	N.A.
Mirror Surround	575.00	680.00	N.A.	N.A.	N.A.	N.A.
Penn	300.00	340.00	N.A.	90.00	N.A.	.
York	385.00	425.00	N.A.	90.00	N.A.	

Red Oak Wall Cap	For 2" x 4" wall	\$13.00/lf
	For 2" x 6" wall	\$15.00/lf
	For 2" x 12" wall	\$26.00/lf